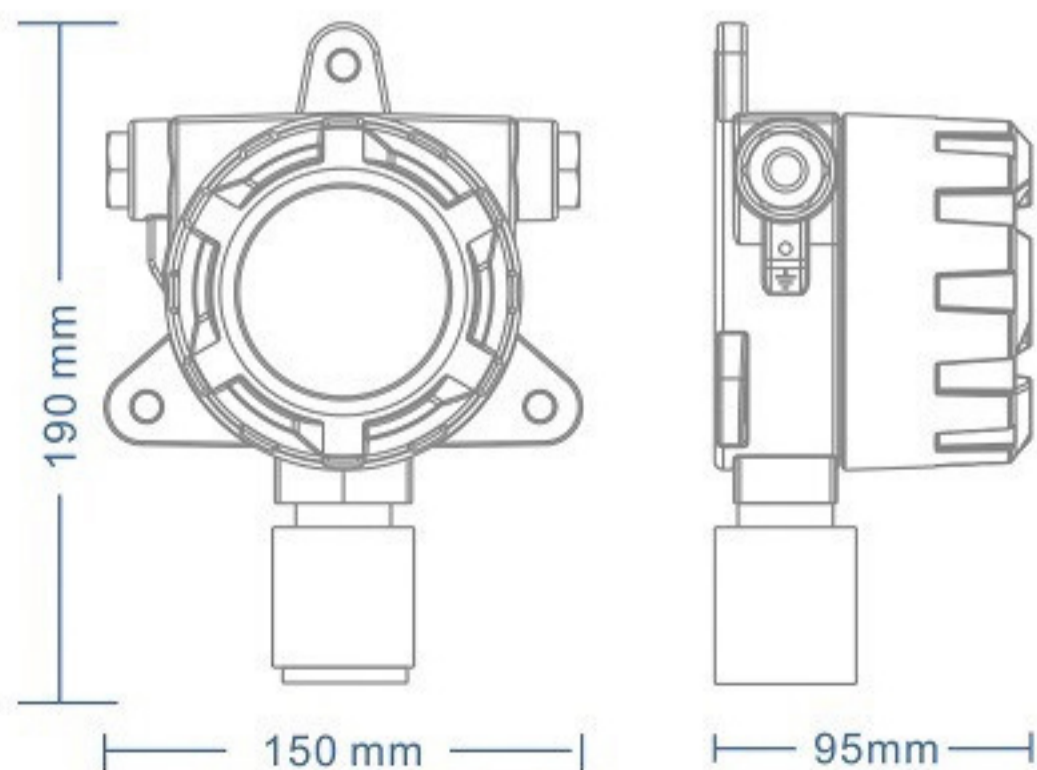


# BH-60 Fixed Gas Detector



外型尺寸: 190x150x95mm

## Technical Parameters

Explosion-proof:	Exd II C T6 Gb	Response Time:	≤30S
------------------	----------------	----------------	------

Volts: DC24V ± 10%    Working Temperature: -20°C ~ 50°C

Output current:	4-20mA	Humidity:	10-95%RH(No dew)
-----------------	--------	-----------	------------------

Relay: Free contact full loadpower 1KW

Signal Output:	Three-wire 4-20mA /Four-wire Rs485
----------------	------------------------------------

# BH-60 Fixed gas detector

BH-60 fixed gas detector is a new type of gas detector developed and produced in combination with the company's many years of experience in gas detection. It is used to detect the concentration of flammable gases or other toxic and harmful gases in the air. When the concentration reaches or exceeds the preset alarm value. The controller will give an audible and visual alarm, promptly remind people take safety measures to prevent the occurrence of explosions and poisoning incidents, thus ensuring the safety of life and property.

This product has the advantages of stable signal, high precision, rapid response, long life, short polarization time, etc. It adopts industrial grade sensor; the instrument casing adopts explosion-proof explosion-proof structure design, 4-20mA standard signal or directly enters DOS system, which can be widely used in the metallurgical, petroleum, chemical, municipal and other industries, it is at the leading level of similar products in China.



## Sketch Map



NO.	GAS TYPE	Measurement range	Detection Accuracy	90% Response Time	Minimum Readout
1	Phosphine (PH <sub>3</sub> )	0-2000ppm	±5%(F.S)	≤25s	0.01ppm
2	Oxygen (O <sub>2</sub> )	0-30%vol	±5%(F.S)	≤15s	0.10%
3	Combustion (LEL)	0-100%LEL	±5%(F.S)	≤5s	1%LEL
4	Carbon monoxide (CO)	0-1000ppm	±5%(F.S)	≤25s	1ppm
5	Carbon dioxide (CO <sub>2</sub> )	0-5000ppm	±5%(F.S)	≤25s	1ppm
6	Hydrogen Sulfide (H <sub>2</sub> S)	0-100ppm	±5%(F.S)	≤30s	1ppm
7	Nitrogen Dioxide (NO <sub>2</sub> )	0-20ppm	±5%(F.S)	≤25s	0.1ppm
8	Nitric oxide (NO)	0-250ppm	±5%(F.S)	≤60s	1ppm
9	Sulfur dioxide (SO <sub>2</sub> )	0-100ppm	±5%(F.S)	≤30s	0.1ppm
10	Chlorine gas (CL <sub>2</sub> )	0-20ppm	±5%(F.S)	≤30s	0.1ppm
11	Ammonia (NH <sub>3</sub> )	0-100ppm	±5%(F.S)	≤50s	1ppm
12	Hydrogen gas (H <sub>2</sub> )	0-1000ppm	±5%(F.S)	≤60s	1ppm
13	Hydrogen Cyanide (HCN)	0-50ppm	±5%(F.S)	≤200s	0.1ppm
14	Hydrogen Chloride (HCL)	0-20ppm	±5%(F.S)	≤60s	0.1ppm
15	Methane (CH <sub>4</sub> )	0-100%LEL	±5%(F.S)	≤5s	1%LEL



Standard option



With sound and light alarm



With LED display



With sound, light alarm and LED display

Bosean established in 2013. over more than 5 years development, now ranked top enterprise in instrument measurement line that integrates independent research , design, production and sales of gas detection instruments, laser ranging instruments and other testing products. Our products widely used in individuals, families and businesses, and get wide range approval .



ติดต่อบริษัท นีโอนิกส์ จำกัด  
 Tel: 02-077-7602 หรือ 061-8268939  
 E-mail: sale@tools.in.th หรือ sale@neonics.co.th