

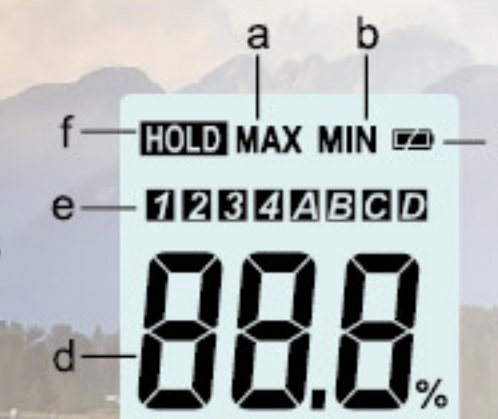


**Function**

- 1.Selection among 4 types of wood and other material
- 2.Reading lock
- 3.Review of maxium moisture reading
- 4.Review of minimum moisture reading
- 5.Battery volume alert
- 6.Large non-parallax LCD with legible display
- 7.Automatic/manual power off

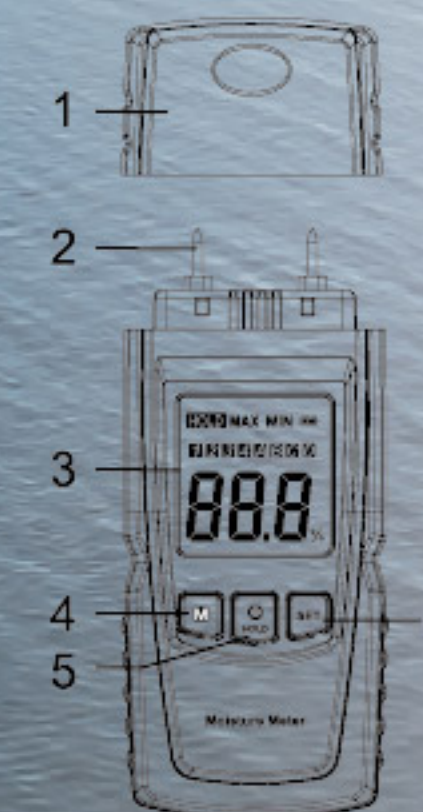
**Display**

- a.Maximum reading
- b.Minimum reading
- c.Battery volume
- d.Moisture content in woods
- e.Wood type selection
- f.Reading hold



**Keys**

- 1.Built-in-one protective cover
- 2.Built-in-one probe
- 3.LCD
- 4.Woods type and other material selection key
- 5.Power on/off and reading hold key
- 6.Maximum/minimum reading selection key



**Specification**

Measuring range	Wood type	Resolution
0%-24%	Wood type1	0.10%
0%-30%	Wood type2	
0%-37%	Wood type3	
0%-41%	Wood type4	
0%-6.8%	Other material A	
0%-6.6%	Other material B	
0%-6.0%	Other material C	
0%-12.2%	Other material D	
Precision	±2% Wood type1	
Operating temperature	0°C-40°C	
Operating humidity	20%RH-90%RH	
Automatic power off time	About 10 minute	
Length of probe	9.8mm	
Battery	2*1.5V AAA Battery	
Size	135.6*55*29.4mm	
Weight	107.7g(excluding battery)	

**Wood type**

Type	Refer value	Type	Refer value
Rhodesia teak	1	Cork wood	3
Ormosia	1	Sandalwood	3
Brazil walnut	1	Elm	3
Walnut	2	Koombar	3
Clones wood	2	Hemlock	3
White poplar	2	Borneol wood	3
Teak	2	Oak	3
Fir	3	Masson pine	4
Douglas fir	3	Chile pine	4
Lauan	3	Spurce	4
White ash	3	Larch	4
White fir	3	Apitong	4
Maple	3	Birch	4
Ash wood	3	Basswood	4

**Other material**

A	Karstenite
B	Cement mortar
C	Lime mortar
D	Brick